

8 7 6 5 4 3 2 1

D

C

B

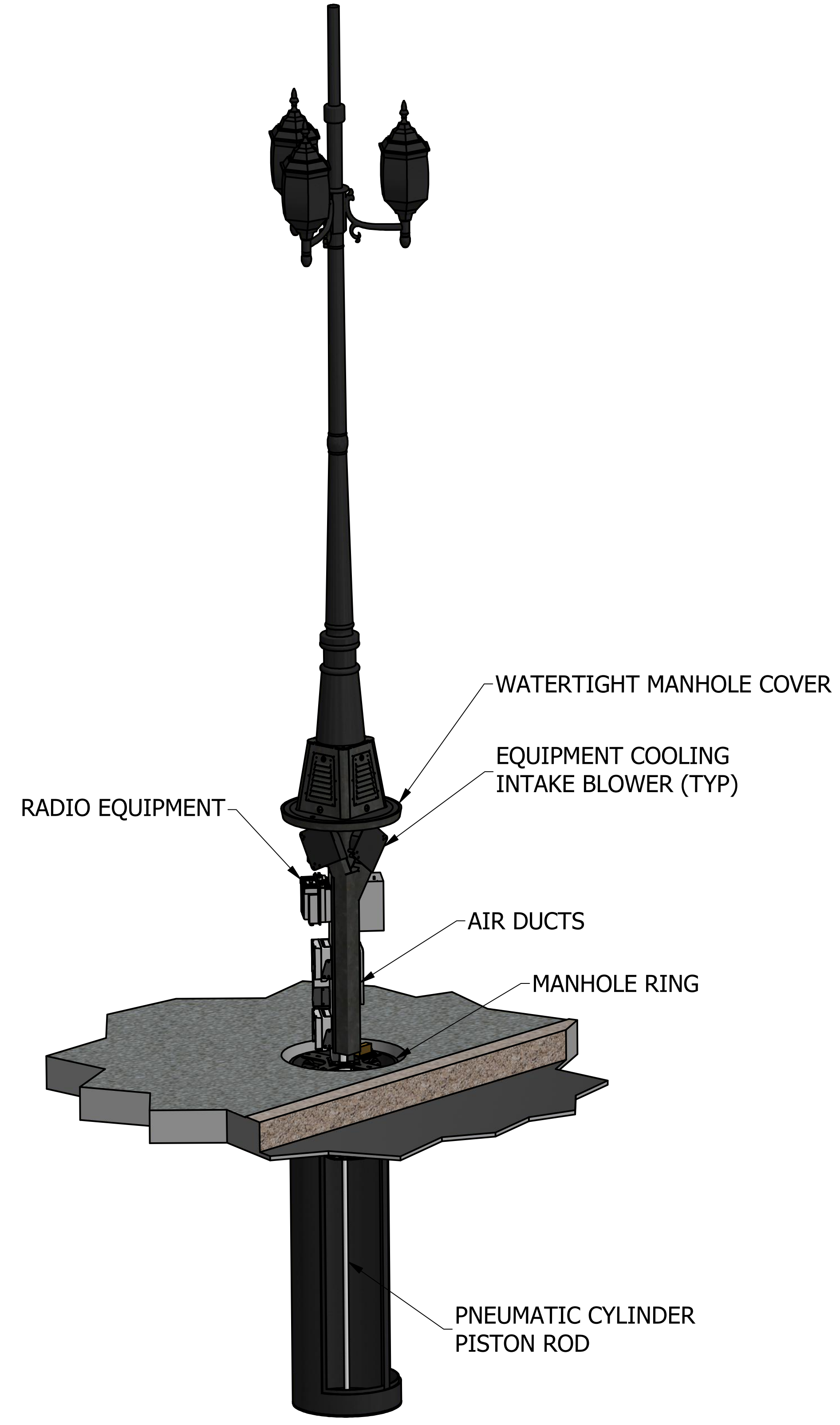
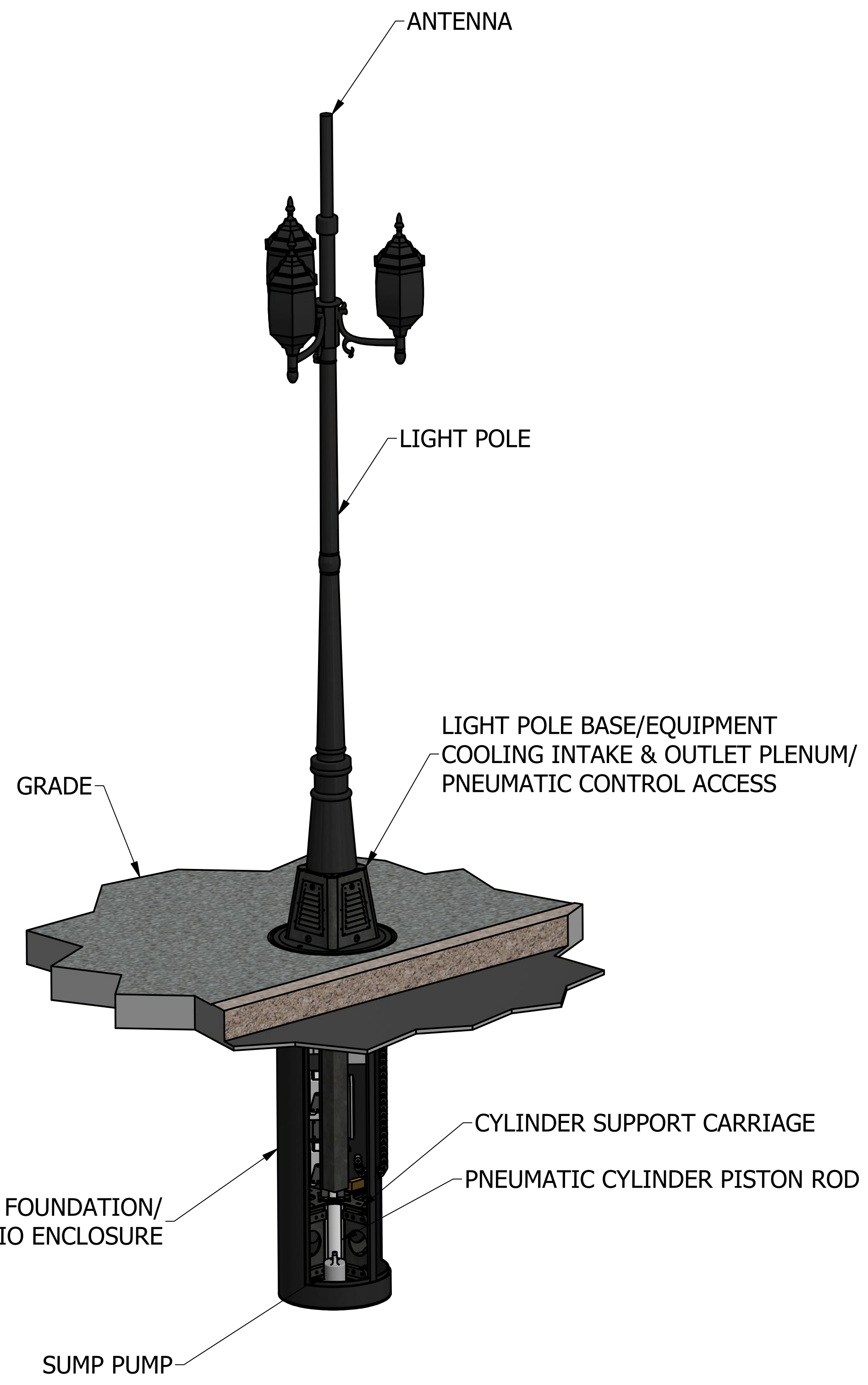
A

D


C

B

A



Patent No.: US 10,498,021 B1

Date: 10/1/2019	 FAR FIELD TELECOM LLC 27 PINE HILL ROAD, ANNANDALE, NJ 08801 (P) 908.345.6363 WWW.FARFIELDTELECOM.COM
Drawn By: Craig Andrews	
Checked: Chad Schwartz, PE	PART #: FFT-RCF
MFG:	DESCRIPTION: Radio Concealment Foundation
REV #: 0	PAGE #: 1 of 1

PROPRIETARY AND CONFIDENTIAL  
 THIS DRAWING IS A PROPERTY OF FAR FIELD TELECOM LLC  
 IT MAY NOT BE REPRODUCED, COPIED OR OTHERWISE COPIED WITHOUT PRIOR WRITTEN AUTHORIZATION

8 7 6 5 4 3 2 1